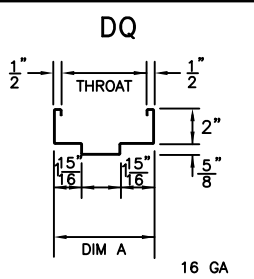
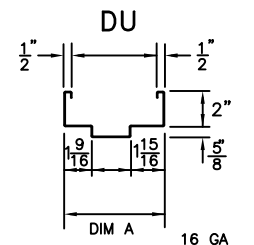


PROFILES

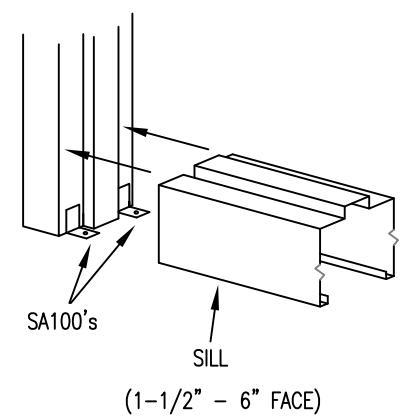
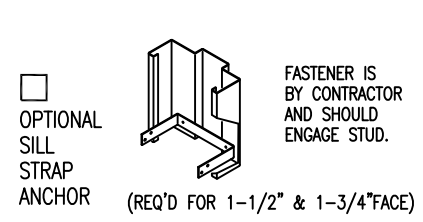
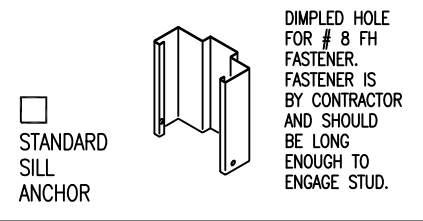
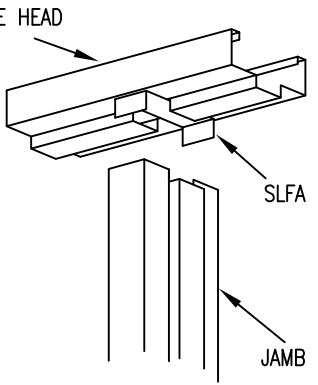
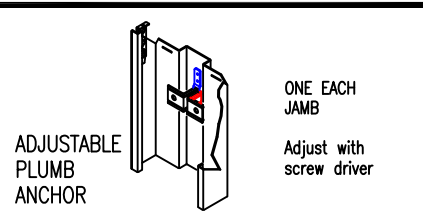
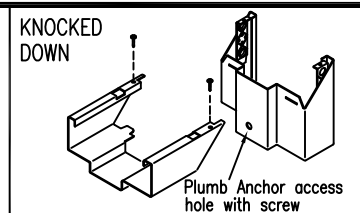
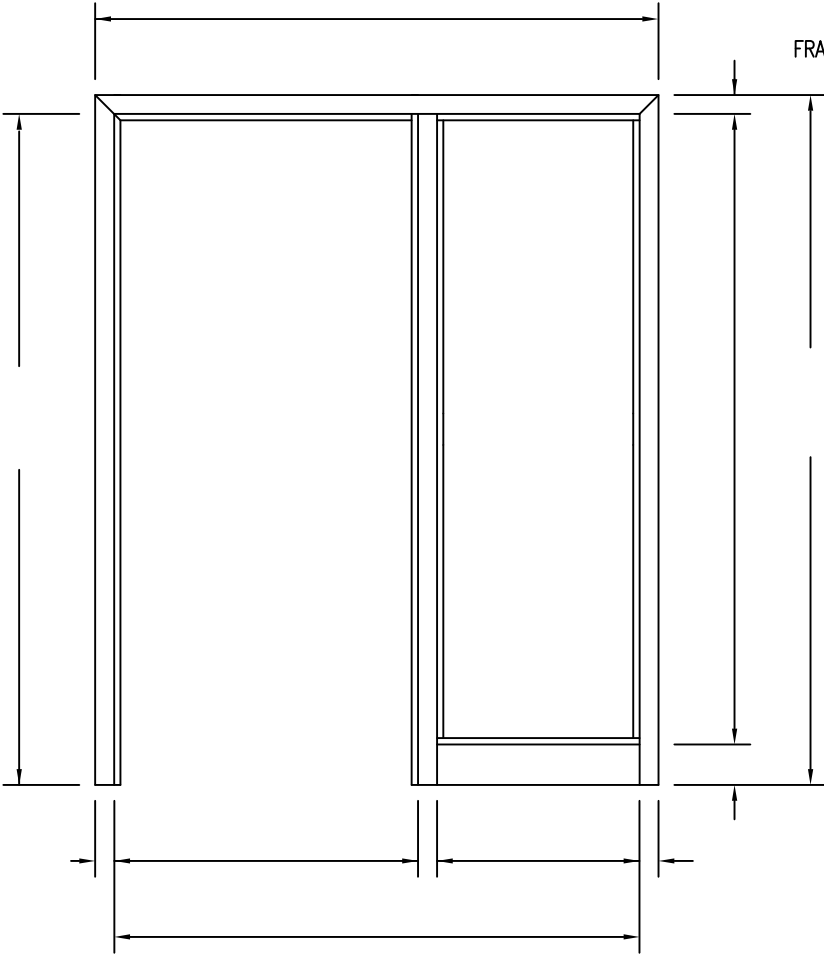


TYPICAL SECTIONS

SERIES DQ & DU	
Dim A	DU SERIES 4-1/2" to 8-3/4"
	DQ SERIES 4-7/8" to 8-3/4"

Cold rolled steel is standard. Galvanized & galvanized steel are optional.

NON-FIRE RATING ONLY



ELEVATION _____

QTY _____

SERIES/DEPTH _____

CORNER CONDITION KD

HAND _____

BEAD SIDE DOOR OPPOSITE DOOR

POCKET DEPTH _____

STRIKE _____

LOCN. _____

HINGES _____

LOCN. _____

ANCHORS _____

MARK# _____

CecoDoor (Conversion: 1" = 25.4 mm, e.g., 1-3/4" = 44.45 mm)

ASSA ABLOY

SHT _____	CONTRACT NO. _____	DRAWN BY _____	DATE _____
OF _____		CHK'D BY _____	DATE _____

SERIES DQ & DU DRYWALL FRAMES
(SLIP-ON DRYWALL SIDELIGHT FRAME)

FOR HAND & SWING
SEE DOOR SCHEDULE