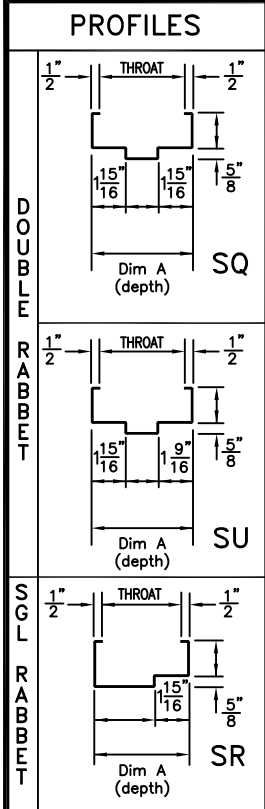
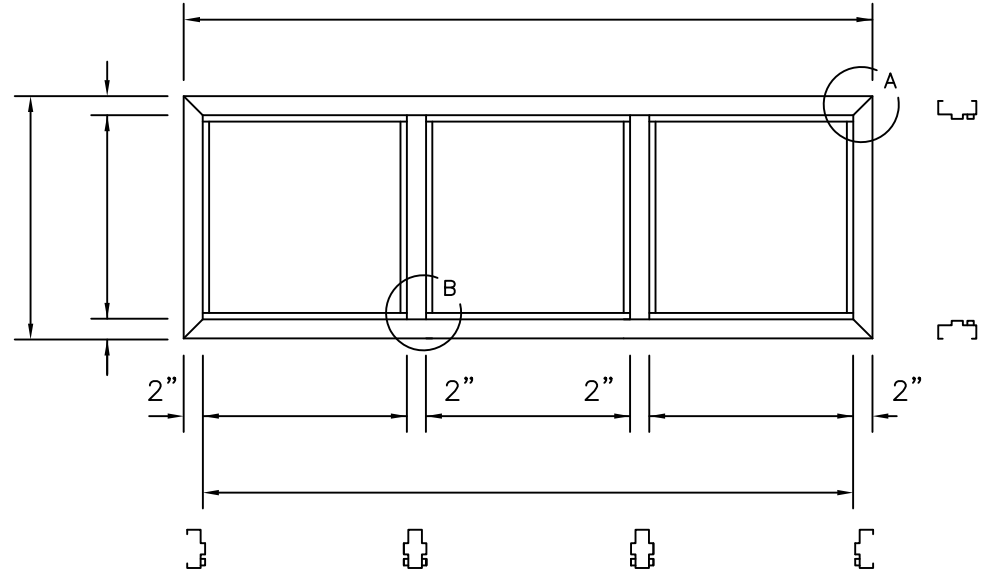


For construction illustrations see page(s): _____.



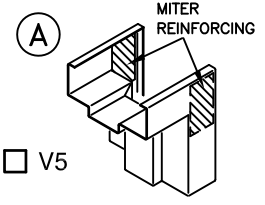
12 ga. Cold rolled steel is standard.
12 ga. Galvanized steel is optional.



ELEVATION _____
MARK _____

RATING ▶	MEDIUM POWER LEVEL 1	HIGH POWER LEVEL 2	SUPER POWER LEVEL 3
SMALL ARMS	SUPER 38 AUTOMATIC	.357 MAGNUM REVOLVER	.44 MAGNUM REVOLVER
BARREL LENGTH	5"	8 1/4"	6 1/2"
BULLET TYPE	METAL CASE 130 GRAIN	SOFT POINT 158 GRAIN	SOFT POINT 240 GRAIN
MUZZEL VELOCITY	1280 FPS	1450 FPS	1470 FPS
MUZZEL ENERGY	475 FT-LB	740 FT-LB	1150 FT-LB

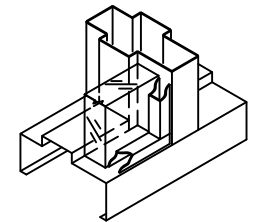
WELDED CORNERS



MITERED AND WELDED CORNER -- HEAD AND JAMB FACES MUST BE EQUAL

GLASS -- UL LISTED

UL LISTED, SPSA RATED
MIN. SIZE: 12" x 12"
GLASS THICKNESS VARIES



GLASS AND GLAZING BY OTHERS UNLESS INCLUDED IN CONTRACT

ARMORSHIELD DEPTHS	
Profile	Dim A
Double Rabbet:	5-1/4" - 13-7/8"
Single Rabbet:	4-5/8" - 5-1/8"

The ArmorShield system is rated for super power small arms (level 3) and is intended for architectural environments with equivalent bullet resistance. The system has not been tested for resistance to forced entry. Field assembly of welded frame and door is required as is preparation for surface applied hardware. System shall be installed securely by contractor in a manner to achieve the intended functional operation and appearance. The door and frame must be finish color painted after delivery to site.

CecoDoor (Conversion: 1" = 25.4 mm, e.g., 1-3/4" = 44.45 mm)

ASSA ABLOY

DRAWN BY _____ DATE _____		ISSUE DATE	REVISIONS	BY
CHK'D BY _____ DATE _____				
SHT _____ OF _____	CONTRACT NO. _____			

**LEVEL 1, 2, & 3 ARMORSHIELD
UL LISTED BULLET RESISTANT
3BL SYSTEM**

TESTED IN ACCORDANCE WITH BULLET RESISTANT EQUIPMENT TEST: UL 752

FOR HAND & SWING SEE DOOR SCHEDULE	
FOR ANCHORAGE SEE DOOR SCHEDULE & ANCHOR SHEET (DO NOT USE WS, MS, OR FFA TYPE)	