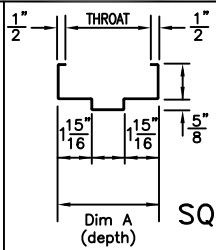


PROFILES

DOUBLE RABBET



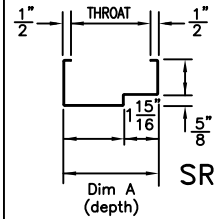
SQ

LOCK STRIKE PREPARATION

UNIVERSAL (4-7/8")
ANSI A115.1 & 2 TEMPLATE
16 GAGE STEEL REINFORCING
WITH EXTRUDED THREADS EQUAL
TO 14 GAGE (STANDARD)

CYLINDRICAL (2-3/4") (Not shown)
ANSI A115.3 TEMPLATE
16 GAGE STEEL REINFORCING
WITH EXTRUDED THREADS EQUAL
TO 14 GAGE (OPTIONAL)

SGL RABBET



SU

HINGE PREPARATION
BACKSET: 5/16"

4-1/2 OR 5 IN.
HIGH, HEAVY WEIGHT
FULL MORTISE
HINGES
DOORS OVER 3'0" x 7'0"
REQUIRE 5" x .190
HINGES.
ANSI A156.7
TEMPLATE
(CONTINUOUS HINGE
OPTIONAL)

12 ga. Cold rolled steel is standard.
12 ga. Galvanized steel is optional.

ARMORSHIELD DEPTHS

Profile	Dim A
Double Rabbet:	5-1/4" - 13-7/8"
Single Rabbet:	4-5/8" - 5-1/8"

The ArmorShield system is rated for super power small arms (level 3) and is intended for architectural environments with equivalent bullet resistance. The system has not been tested for resistance to forced entry. Field assembly of welded frame and door is required as is preparation for surface applied hardware. System shall be installed securely by contractor in a manner to achieve the intended functional operation and appearance. The door and frame must be finish color painted after delivery to site.

CecoDoor (Conversion: 1" = 25.4 mm, e.g., 1-3/4" = 44.45 mm)

ASSA ABLOY

DRAWN BY _____ DATE _____
CHK'D BY _____ DATE _____

SHT _____ CONTRACT NO. _____
OF _____

ISSUE DATE _____ REVISIONS _____ BY _____

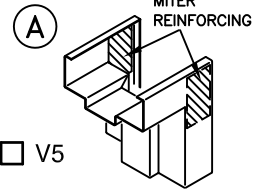
**LEVEL 1, 2, & 3 ARMORSHIELD
UL LISTED BULLET RESISTANT
TFLSL SYSTEM**

TESTED IN ACCORDANCE WITH BULLET RESISTANT EQUIPMENT TEST: UL 752

For construction illustrations see page(s): _____

RATING ▶	MEDIUM POWER LEVEL 1	HIGH POWER LEVEL 2	SUPER POWER LEVEL 3
SMALL ARMS	SUPER 38 AUTOMATIC	.357 MAGNUM REVOLVER	.44 MAGNUM REVOLVER
BARREL LENGTH	5"	8 1/4"	6 1/2"
BULLET TYPE	METAL CASE 130 GRAIN	SOFT POINT 158 GRAIN	SOFT POINT 240 GRAIN
MUZZEL VELOCITY	1280 FPS	1450 FPS	1470 FPS
MUZZEL ENERGY	475 FT-LB	740 FT-LB	1150 FT-LB

WELDED CORNERS

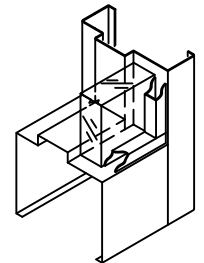


V5

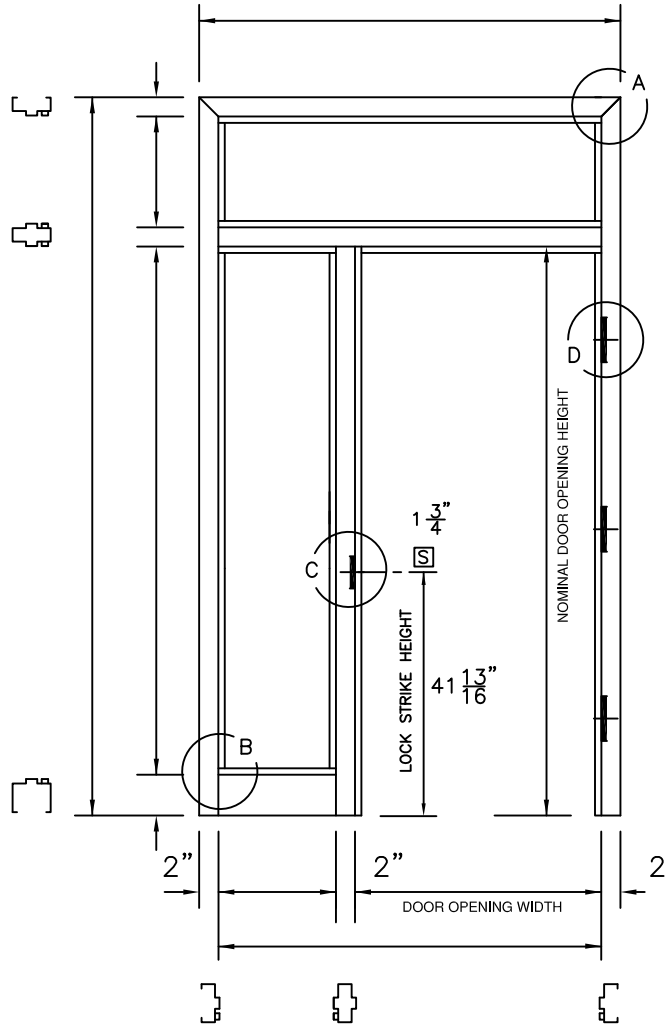
MITERED AND WELDED CORNER -- HEAD AND JAMB FACES MUST BE EQUAL

GLASS -- UL LISTED

UL LISTED, SPSA RATED
MIN. SIZE: 12" x 12"
GLASS THICKNESS VARIES



GLASS AND GLAZING BY OTHERS UNLESS INCLUDED IN CONTRACT



ELEVATION _____

MARK _____

ALL INTERSECTIONS ARE FACE WELDED AND GROUND SMOOTH.

FOR HAND & SWING
SEE DOOR SCHEDULE

FOR ANCHORAGE
SEE DOOR SCHEDULE &
ANCHOR SHEET